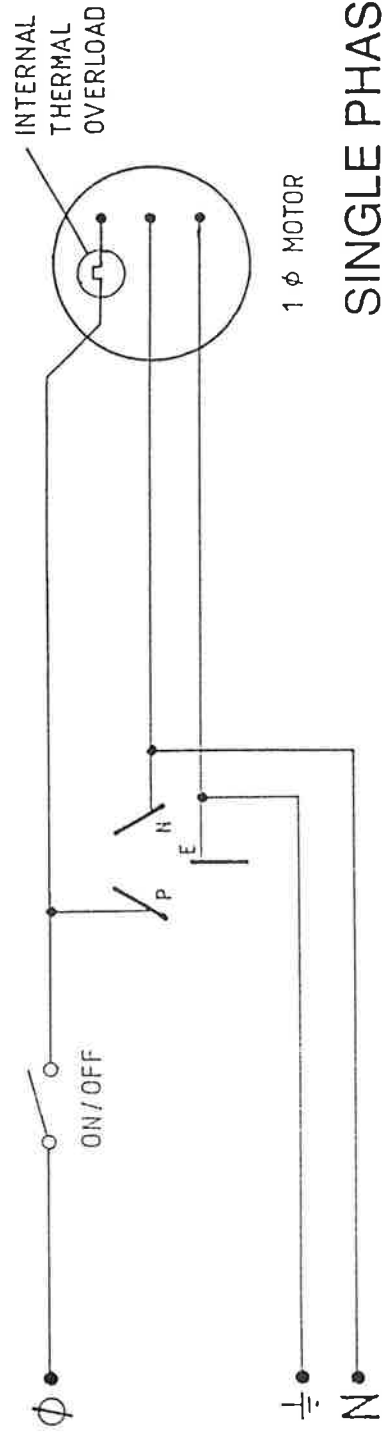
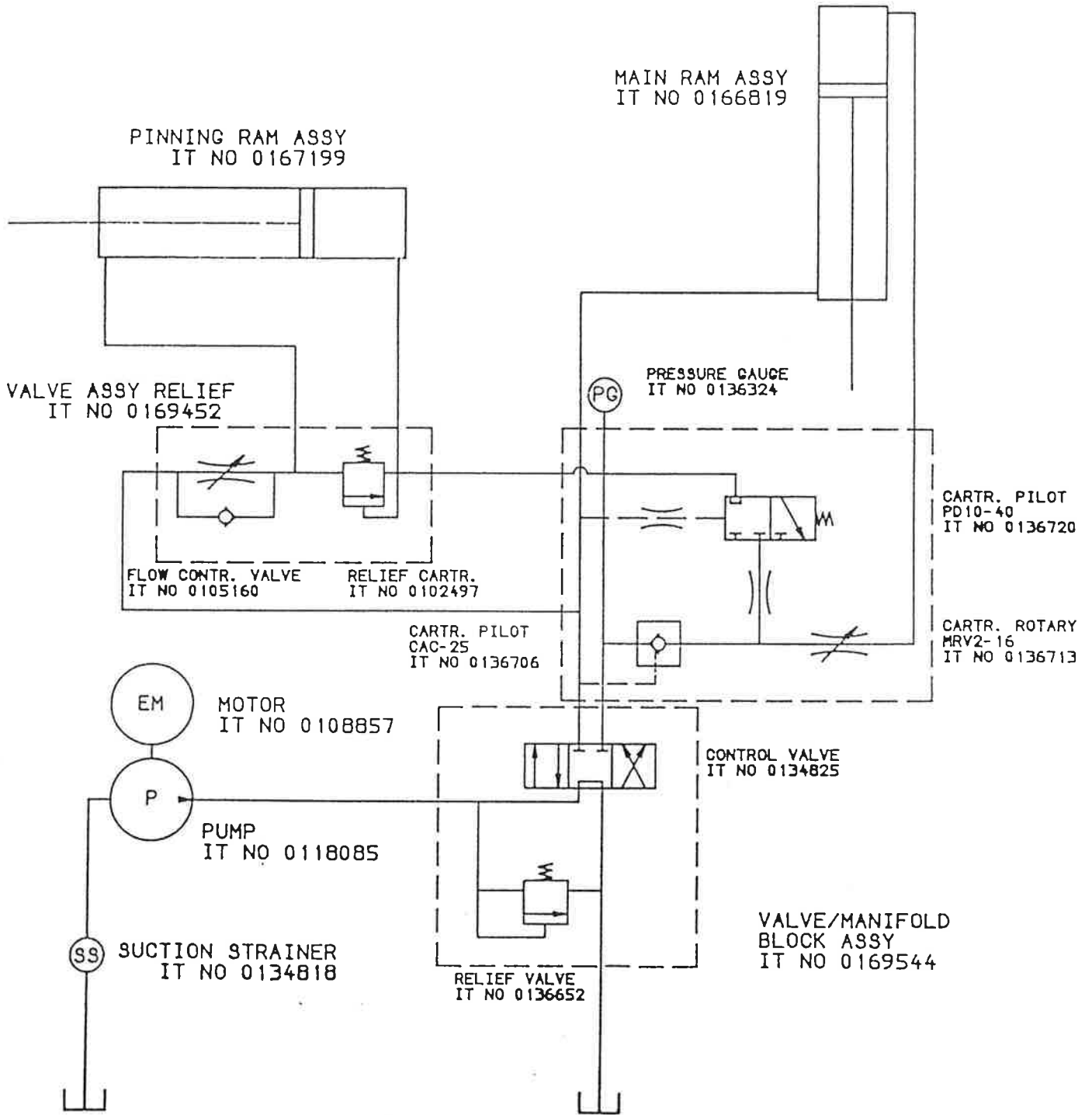


3 PHASE
ELECTRICAL CIRCUIT
SCHEMATIC



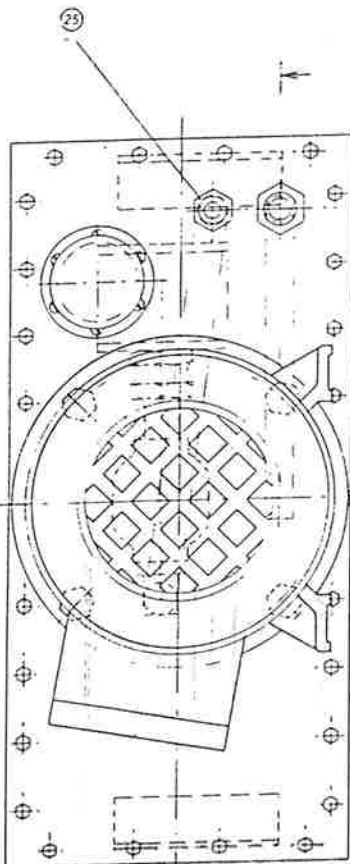
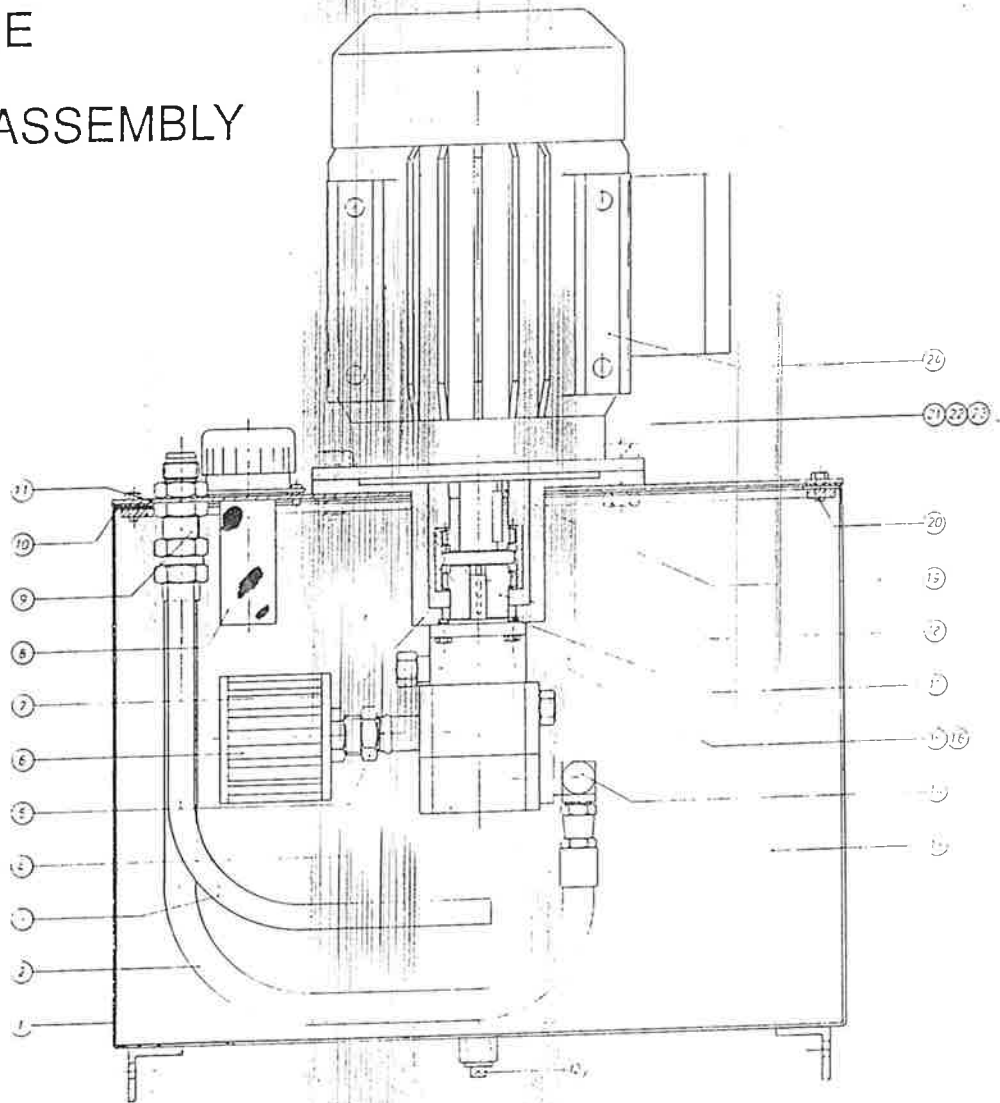
SINGLE PHASE
ELECTRICAL CIRCUIT
SCHEMATIC

HYDRAULIC SCHEMATIC (HIGH COUNTRY & SUPER-PRESS)



THREE PHASE 3 PHASE RESERVOIR ASSEMBLY

0177198

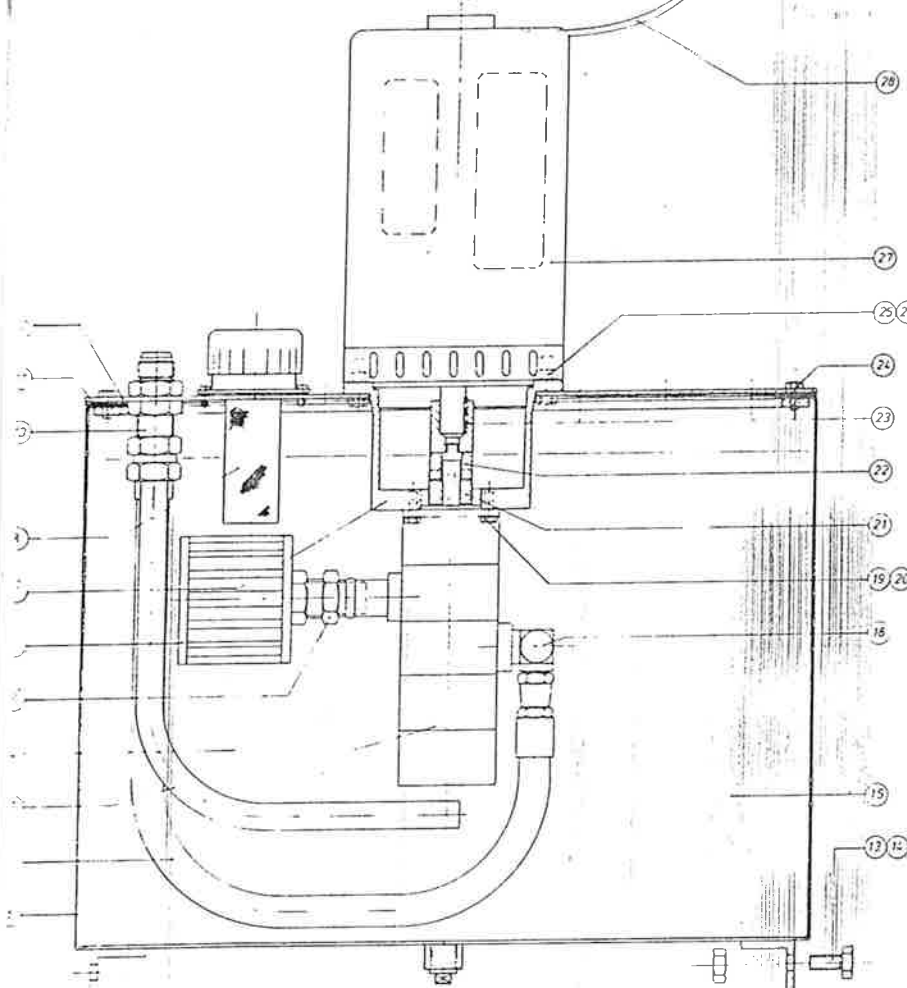


JUIS 55307

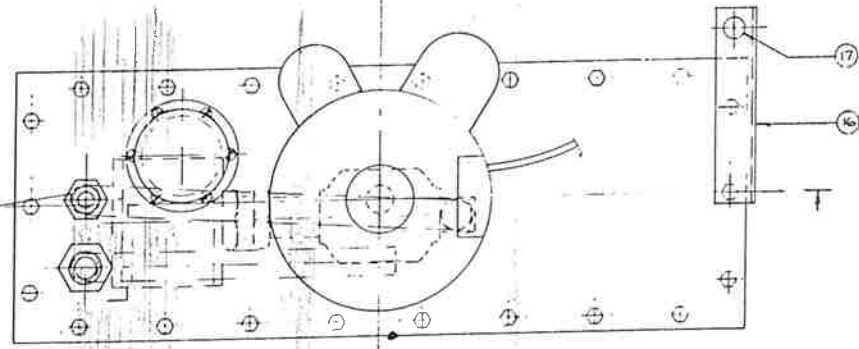
25	BULKHEAD UNION		0167663	1
24	MOTOR <i>487 net 487</i>		0118092	1
23	WASHER		0135860	8
22	NUT NYLOC		0135853	4
21	BOLT		0136133	4
20	BOLT		0136102	24
19	SPACER		0177112	1
18	COUPLING		0177082	1
17	LOCATING RING		0177105	1
16	BOLT		0109090	4
15	SPRING WASHER		0123232	4
14	ELBOW		0167625	1
13	OIL HYDRAULIC		0130148	44LTR
12	PLUG		0072868	1
11	LID RESERVOIR		0177136	1
10	GASKET		0177129	1
9	BULKHEAD UNION		0167595	1
8	BREATHER FILLER		0162002	1
7	HOUSING-COUPLING		0177099	1
6	SUCTION STRAINER		0134818	1
5	ADAPTOR		0167526	1
4	PUMP		0162675	1
3	RETURN PIPE ASSY		0167557	1
2	HOSE ASSY		0167502	1
1	RESERVOIR		0167502	1
ITEM No	DESCRIPTION	REMARKS	PART No	QTY

SINGLE PHASE RESERVOIR ASSEMBLY

0169957



ITEM No	DESCRIPTION	REMARKS	PART No	QTY
30	PLUG		0072868	1
29	BULKHEAD UNION		0167663	1
28	CORD-MAIN		0167670	1
27	MOTOR		0108857	1
26	NUT NYLOC		0101766	4
25	BOLT		0109076	4
24	BOLT		0136102	22
23	COUPLING MOTOR		0167656	1
22	COUPLING DISK		0167649	1
21	COUPLING PUMP		0167632	1
20	BOLT		0080276	4
19	SPRING WASHER		0109410	4
18	ELBOW		0167625	1
17	CABLE CLAMP		0168134	1
16	BRACKET CABLE		0169674	1
15	OIL HYDRAULIC		0130148	40LTR
14	BOLT		0102015	2
13	NUT NYLOC		0102527	2
12	LID RESERVOIR		0167618	1
11	CASKET		0167601	1
10	BULKHEAD UNION		0167915	1
9				
8	BREATHER FILLER		0162002	1
7	HOUSING-COUPLING		0167533	1
6	SUCTION STRAINER		0134818	1
5	ADAPTOR		0167519	1
4	PUMP		0118085	1
3	RETURN PIPE ASSY		0167557	1
2	HOSE ASSY		0167502	1
1	RESERVOIR BLUE		0169933	1
ITEM No	DESCRIPTION	REMARKS	PART No	QTY

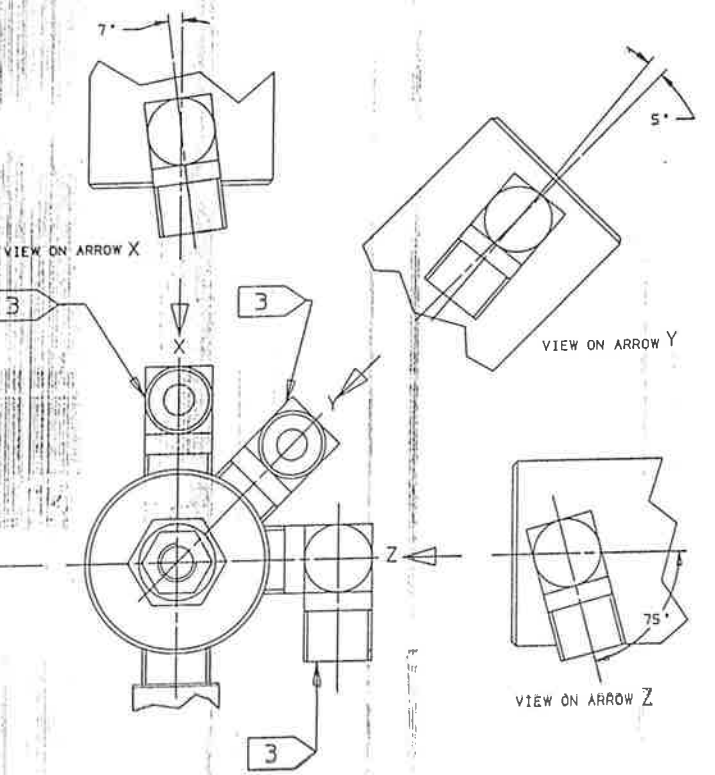
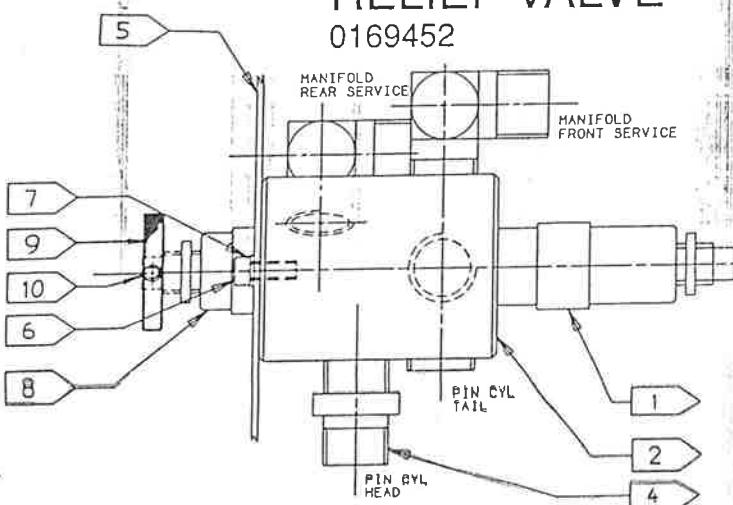


PRESS-SIDE

10	GRUB SCREW		0169735	1
9	HANDWHEEL		0169483	1
8	CARTRIDGE-FLOW CONTROL		0105160	1
7	SPRING WASHER		0109410	2
6	SCREW		0124895	2
5	FRAME ASSY BLUE		0169797	1
4	NIPPLE		0169476	1
3	ELBOW		0169469	3
2	BODY-RELIEF VALVE		0169445	1
1	CARTRIDGE-RELIEF		0102497	1
ITEM No	DESCRIPTION	REMARKS	PART No	QTY

RELIEF VALVE

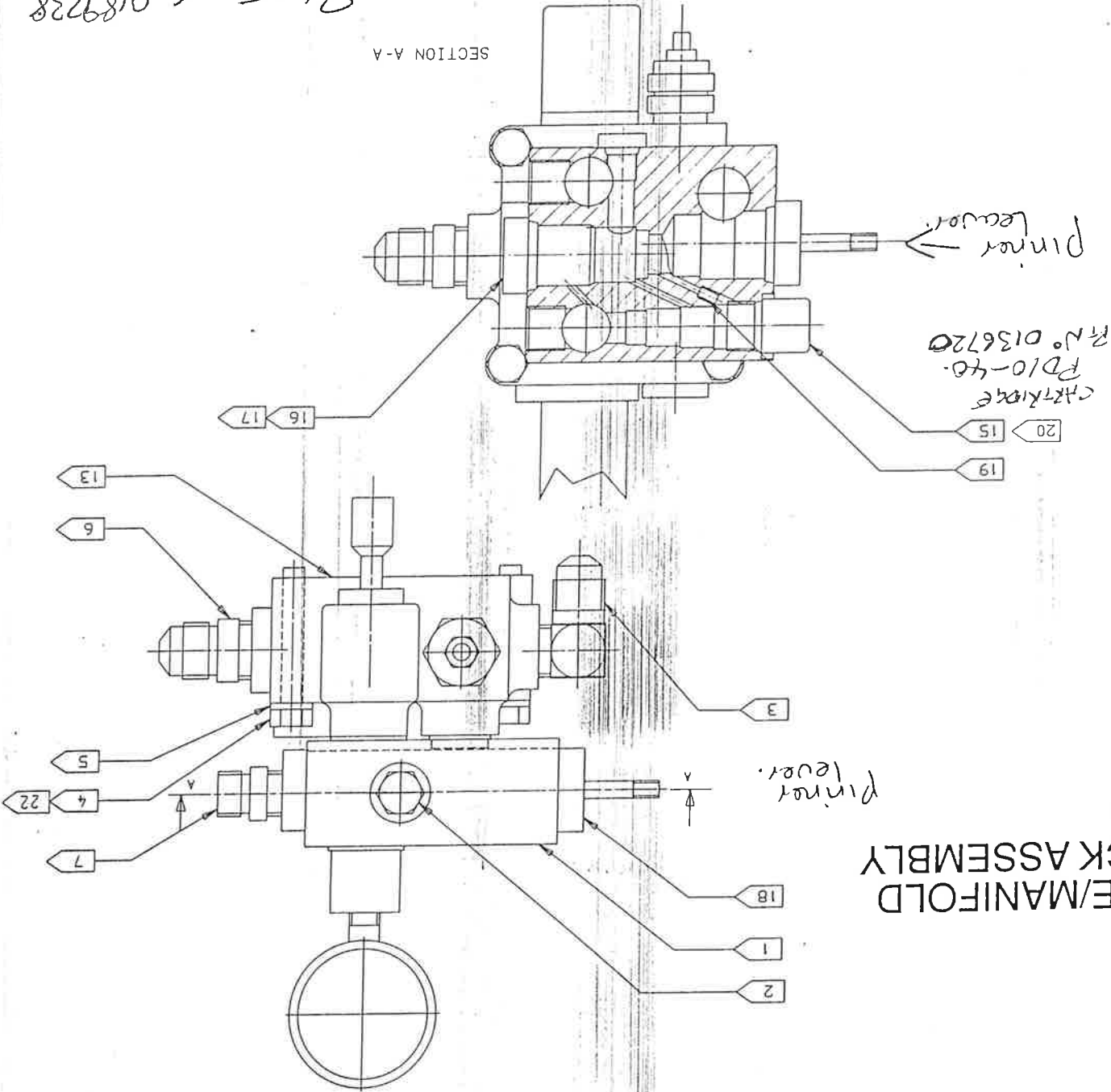
0169452



ITEM No	DESCRIPTION	REMARKS	PART No	QTY
1	MANIFOLD BLOCK		0167908	1
2	PLUG		0163733	1
3	ELBOW		0169568	1
4	BOLT		0124499	3
5	SPRING WASHER		0067123	3
6	NIPPLE		0169582	1
7	NIPPLE		0169476	2
8	BANJO BOLT		0169537	1
9	GAUGE		0136324	1
10	BANJO BOLT		0169520	1
11	SEAL		0134795	4
12	DETENT INSERT		0136669	1
13	RELIEF VALVE		0136652	1
14	VALVE ONE SPOOL MONOBLOCK		0136645	1
15	PILOT OP. DIRECT CART.		0126720	1
16	PLUG PILOT CHECK CARTRIDGE		0163764	1
17	PILOT CHECK CARTRIDGE		016706	1
18	MAN ROTARY CARTRIDGE		0136713	1
19	ORIFICE PLUG		0136683	1
20	ORIFICE DISC		0136676	1
21	VALVE SCREW DETENT		0173145	1
22	NUT		0123805	4
23	VALVE DETENT SHAFT		0173152	1
24	VALVE SPRING DETENT SHAFT		0173176	1
25	VALVE SPRING DETENT		0173169	2
26	VALVE DETENT HOUSING		0173183	1
27	LOCATION BUSHING		0136669	1
28	BALL		0175583	4

HANDLES Pilot toggle 0189238

SECTION A-A



0169544
VALVE/MANIFOLD
BLOCK ASSEMBLY

