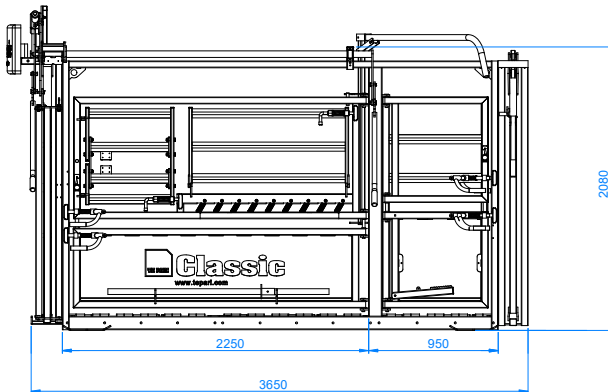


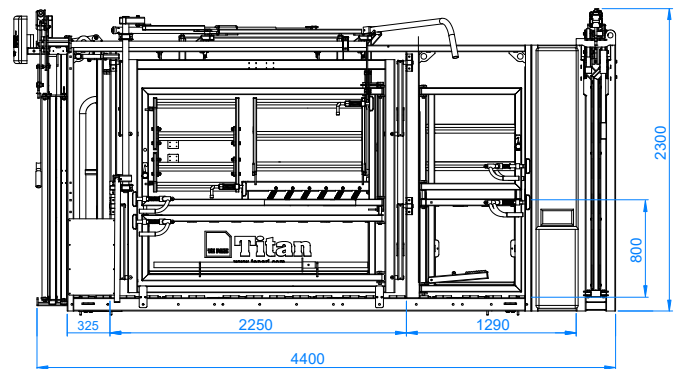
CRUSH WEIGHT TABLES & DIMENSIONS.



Classic & Taurus MC Crush Dimensions



Titan & Taurus HD3 Crush Dimensions



DIMENSIONS

	Classic MC		Classic HF	
	Vet	Vetless	Vet	Vetless
Full length	3650	2750	3400**	2650
Vet Section	950	-	820	-
Animal compartment	2250	2250	2250	2250
Inside width	750	750	750	750
Outside width	1110	1110	1110	1110
Weight in kgs*	750	630	740	630

**Vet Hoof Handler Only: Add 220mm if a sliding gate is fitted.

DIMENSIONS

	Titan & Taurus HD3			
	With Injector Gate		Without Injector Gate	
	Vet	Vetless	Vet	Vetless
Full length	4400	3600	4075	3275
Vet section	1290	-	1290	-
Animal compartment	2575	2575	2250	2250
Inside width	750	750	750	750
Outside width	1100	1100	1100	1100
Vet kick gate height	800	-	800	-
Weight in kgs*	1090	980	900	700

All dimensions shown in mm and all weights in kgs. The standard height of all crushes is 2350mm. The operating height of the Headbail is 2425mm due to the linkage position. Weights are approximate as they vary depending on fitted options. If the crush is fitted with offside draft handle or overhead scale pendant the overall height will increase.

* These measurements are the overall length excluding the sign on the headbail, the sign adds about a further 100mm. Add 220mm for sliding gate if fitted.